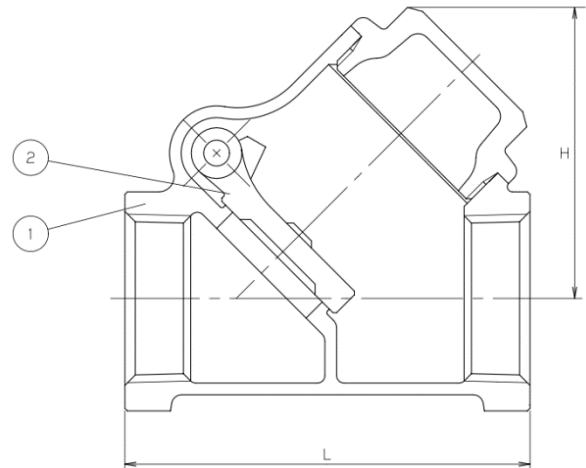




# Bronze Swing Check Valve

236A



Body Marking :

RED-WHITE 125S-(Inch)

TOYO 200WOG

(Inch) denoted size of valve

### Material of construction

No.	Component	Material	Material Specification
1	Body	Cast Bronze	BS EN 1982 CC491K
2	Seat (Disc)	Cast Bronze	BS EN 1982 CC491K

### Specification

Design Standard	BS 5154
Working Pressure	16 bar
Body Test Pressure	24 bar
Seat Test Pressure	17.6 bar
Thread Connection	BS EN 10266 (BS21 Taper)

### Dimension

Unit : mm

Size		H	L
Inch	mm		
1/2	15	40	56
3/4	20	49	70
1	25	58	80
1-1/4	32	71	95
1-1/2	40	80	110
2	50	95	128
2-1/2	65	114	156
3	80	131	184

2022 Jul Version