

WAFER STYLE SILENT CHECK VALVE  
SERIES NO.1400

STANDARD MATERIALS OF CONSTRUCTION

<u>PART NO.</u>	<u>PART NAME</u>	<u>MATERIAL</u>
1	BODY	CAST IRON EN 1561 GRADE EN-GJL 250 (INTERIOR/EXTERIOR FUSION BONDED EPOXY)
2	SEAT	BSEN10283 Gr. 1.4408
3	SPRING	STAINLESS STEEL T316, ASTM A313
4		

\* Epoxy Coating : WRAS Approval no. 2202530



Body Marking: VALMATIC (Model No.)(CLASS)(SIZE)  
Body Name: Valmatic

MATERIALS OF CONSTRUCTION

DATE 8/15/16

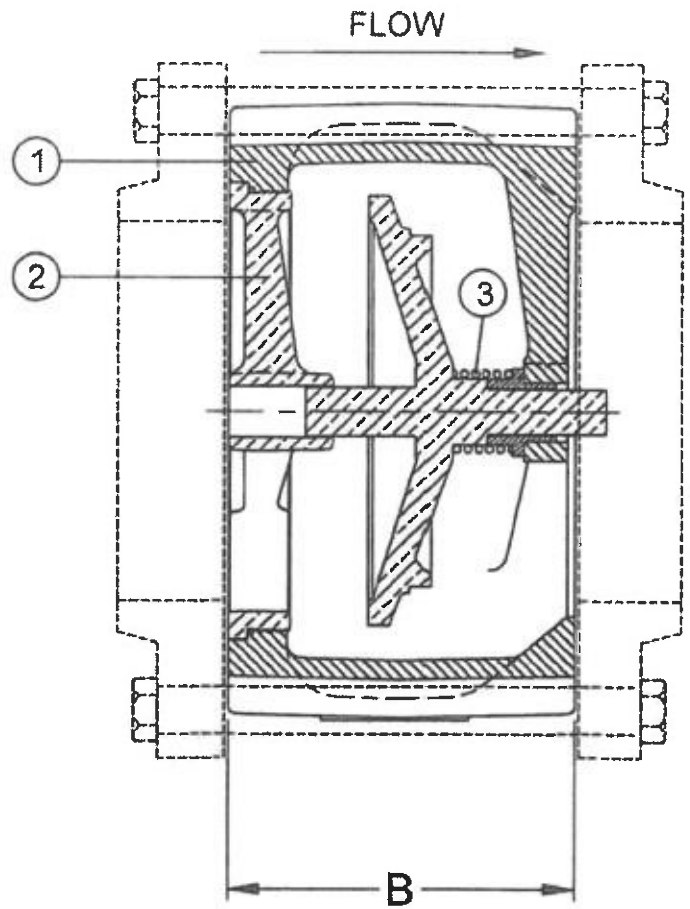
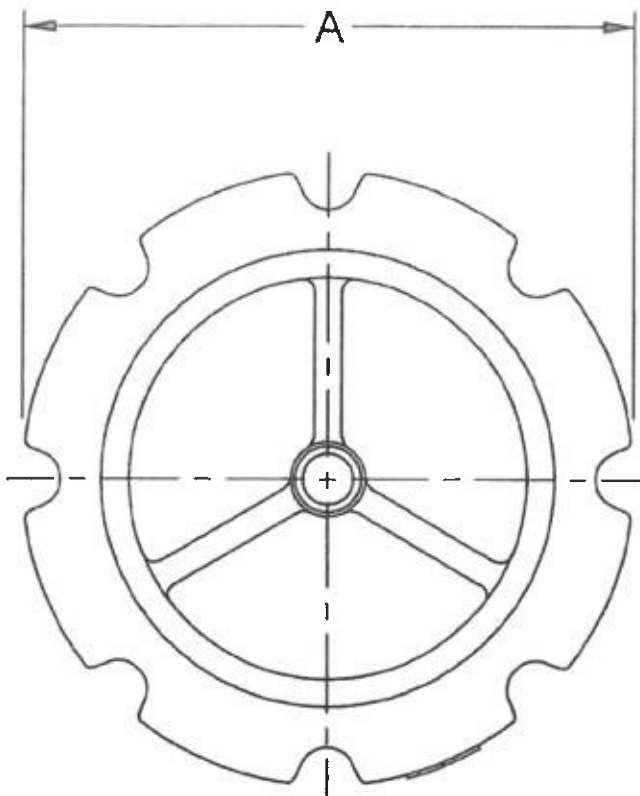
**VAL-MATIC®**

VALVE AND MANUFACTURING CORP.

DRWG. NO.

Factory: 905 Riverside Drive, Elmhurst, IL, 60126, United State

Series No. 1400



VALVE SIZE	MODEL NO.	FLANGE CLASS	CWP (BAR)	A	B
50	1402A.3XF	PN25	25	4.25	2.63
65	1425A.3XF	PN25	25	5.00	2.88
80	1403AX006	PN25	25	5.75	3.13
100	1404AX004	PN25	25	7.00	4.00
150	1406A.3XF	PN25	25	9.75	5.50

BS4504 PN 25 WAFER STYLE SILENT CHECK VALVE

DATE 8-15-16

**VAL'MATIC**<sup>®</sup>

VALVE AND MANUFACTURING CORP.

DRWG. NO.

Factory: 905 Riverside Drive, Elmhurst, IL, 60126, United State