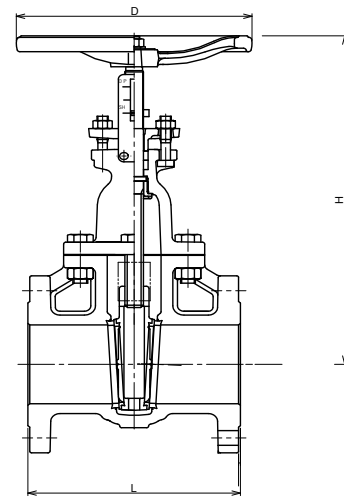


# EN1171 PN16 CAST IRON GATE VALVE

BOLTED BONNET, INSIDE SCREW, NON RISING STEM, FLANGED ENDS, INDICATOR

16 bar at 120°C, 12.8 bar at 200°C

Fig. 501SHK



## Parts & Materials

Parts	Materials	Specifications
Body	Cast Iron	EN-GJL-250
Bonnet	Cast Iron	EN-GJL-250
Stem	Stainless Steel	420SS
Disc	Cast Iron	EN-GJL-250
Body Seat Ring	Cast Bronze	CC491K
Disc Seat Ring	Cast Bronze	CC491K

## Design Specifications

Face To Face Or End To End	EN558 PN16 Basic Series 3
End Connection	EN1092-2 PN16
Wall Thickness	Manufacture's Standard

## Dimensions

DN	inch	2	2.1/2	3	4	5	6	8	10	12
	mm	50	65	80	100	125	150	200	250	300
L		178	190	203	229	254	267	292	330	356
H		282	309	366	415	475	531	642	775	858
D		180	180	200	254	254	300	300	350	400