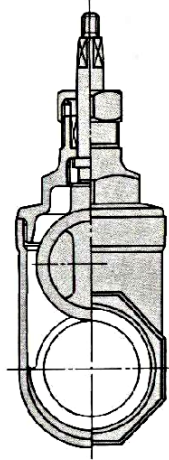
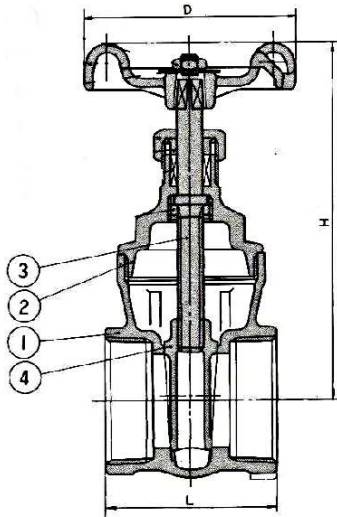




# BS EN12288 PN16 BRONZE GATE VALVES

Non-rising stem, screw-over bonnet, solid wedge disc, screwed ends.



**With Lockable Device  
(Operate With T-key)**

### Materials

No.	Name of Parts	Materials	B.S./ BSEN
1	Body	Cast Bronze	BSEN1982 CC491K
2	Bonnet	Cast Bronze	BSEN1982 CC491K
3	Stem	Copper alloy rod*	BSEN12164
4	Disc	Cast Bronze	BSEN1982 CC491K

### Working Pressure

Working Pressure Non-Shock		Test Pressure	
Saturated Steam	Cold Water Oil, Gas	Shell (Water)	Seat (Water)
8.6 Bar	16 Bar	24 Bar	18 Bar

### Dimensions

Mark	Size	1/2	3/4	1	1 1/4	1 1/2	2	2 1/2	3
		L	in. 1.69 mm 43	1.89 48	2.9 53	2.36 60	2.48 63	2.8 71	3.43 87
H	in. 2.99 mm 76	3.39 86	3.86 98	4.65 118	100.6 126	6.06 154	7.09 180	8.31 211	
D	in. 1.89 mm 48	2.17 55	2.48 63	2.76 70	3.15 80	3.54 90	3.54 90	3.94 100	
Wt.	lb	0.55	0.77	1.04	1.61	2.12	3.28	5.18	7.03
	kg	0.25	0.35	0.47	0.73	0.96	1.49	2.35	3.19

Note:

End threads conform to the American or BSEN Standard pipe threads.