



## AVK SILENT CHECK VALVE, PN10/16, FLANGED

DN65-400, epoxy coated, ductile iron, metal seated

Series 903/20

Series 903 metal seated silent check valves are designed to prevent back flow in high temperature range pumping applications. The valve element movement is controlled via a central guide where a centrally mounted spring together with the short movement aids the quick closing that is essential in reducing shock associated with valve closure. The pumped media can be water, glycol or other clean, neutral liquids.

### Product description:

Flanged silent check valve for water up to 50°C

### Standards:

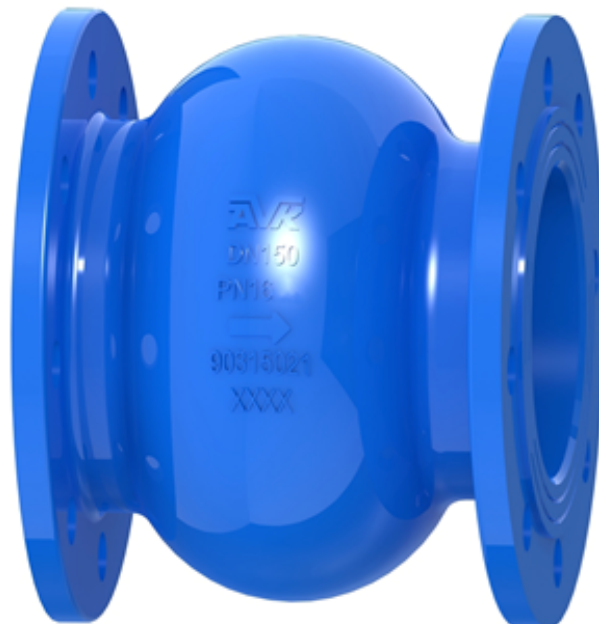
- Designed according to EN 12334
- Face to face according to MSS SP-125 short globe
- Standard flange drilling to EN1092-2 (ISO 7005-2), PN 10/16

### Test/Approvals:

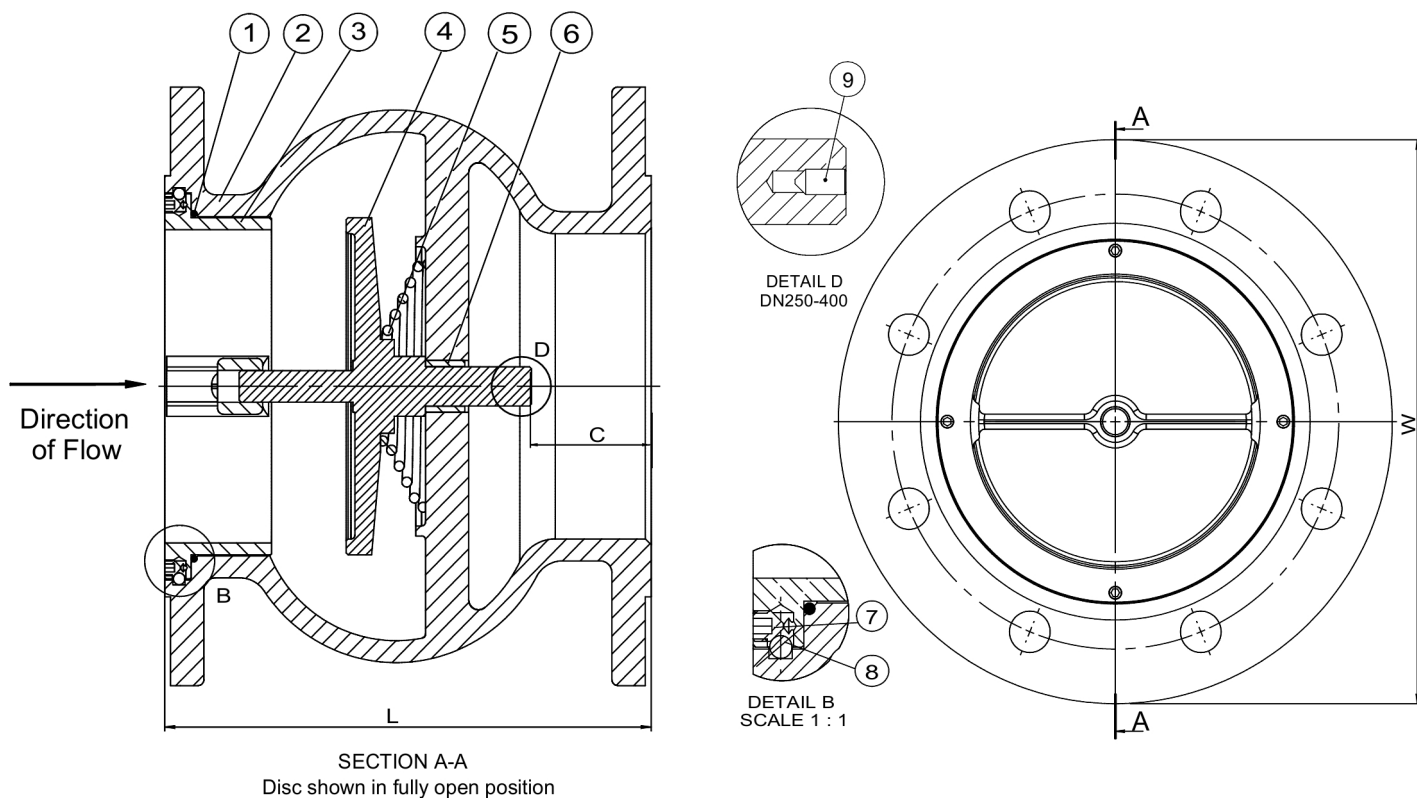
- Experimental shell design strength according to EN12516-3
- Test according to EN12266

### Features:

- The combination of light disc, short stroke distance and fast closing spring design is effectively mitigating slamming
- Streamlined contour for low head loss
- The special seat design ensures quick and easy trim replacement
- Fusion bonded epoxy coating on both external and internal surfaces
- Metal seat for durability and high temperature tolerance
- Up to and including DN200, the design makes it possible to mount a butterfly valve at the outlet side of the silent check valve, without any additional adapters. This refers to the measure reference C
- Body marking: AVK (DN) PN16 → (Production Code)



Expect ... **AVR**



### Component list:

1. O-ring	EPDM rubber	6. Bush	Stainless steel 316
2. Body	Ductile iron GJS-500-7 (GGG-50)	7. Bolt	Stainless steel A2
3. Seat	Stainless steel 1.4308	8. Retainer ball	Stainless steel 304
4. Disc	Stainless steel 1.4308	9. Bolt	Stainless steel A2
5. Spring	Stainless steel 1.4301		

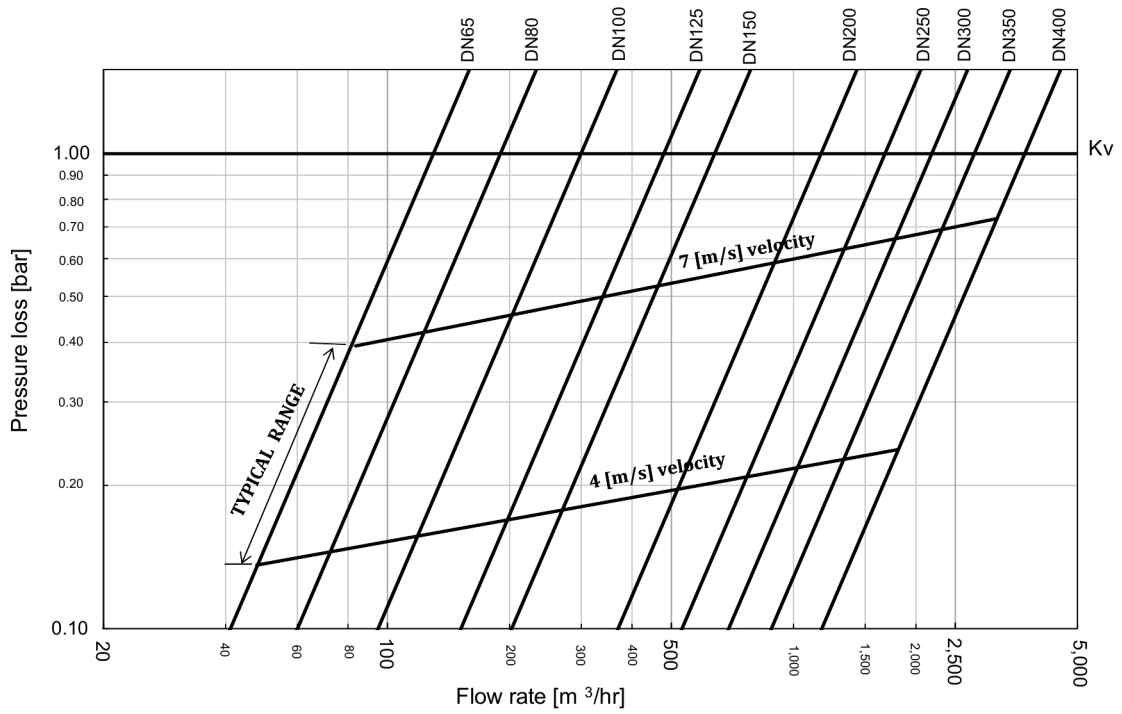
Components may be substituted with equivalent or higher class materials without prior notification.

\* "Item 9" is available for DN250-DN400

### Reference nos. and dimensions:

AVK ref. no.	DN	Flange	L	W	C	Theoretical weight / kg
	mm	drilling	mm	mm	mm	
903-065-20-11000	65	PN10/16	140	185	27.5	8.0
903-080-20-11000	80	PN10/16	152	200	35.5	9.0
903-100-20-11000	100	PN10/16	184	235	46	15
903-125-20-11000	125	PN10/16	216	270	51	21
903-150-20-11000	150	PN10/16	248	300	61	32
903-200-20-01000	200	PN10	317	360	84	52
903-200-20-11000	200	PN16	317	360	84	52
903-250-20-01000	250	PN10	394	440	118	85
903-250-20-11000	250	PN16	394	440	118	85
903-300-20-01000	300	PN10	362	500	16	111
903-300-20-11000	300	PN16	362	500	16	111
903-350-20-01000	350	PN10	400	580	35.5	158
903-350-20-11000	350	PN16	400	580	35.5	158
903-400-20-01000	400	PN10	448	635	50	208
903-400-20-11000	400	PN16	448	635	50	208

### Flow/Pressure Drop Chart - Silent Check Valve (Water)



These charts are based on the flow of clean water at ambient temperature 20° C.