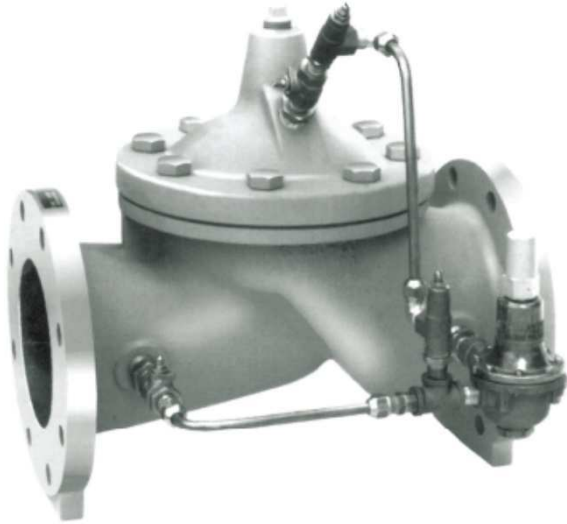




— Model — 690-01  
90-01  
90A-01



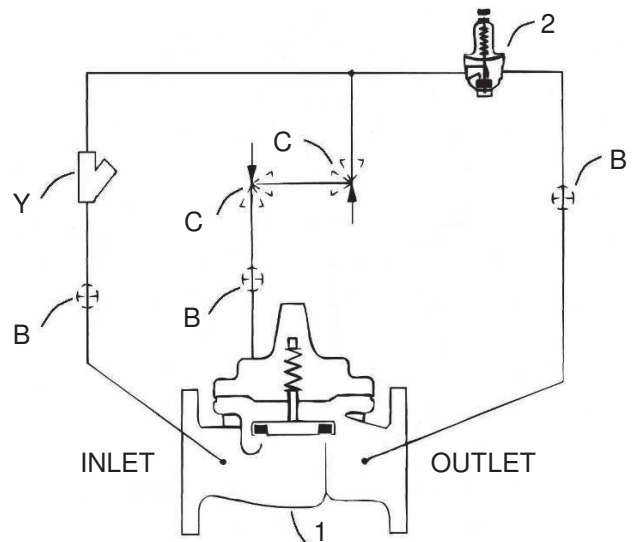
- 316 stainless steel Trim
- Sensitive and Accurate Pressure Control
- Easy Adjustment and Maintenance
- Tamper Resistant
- Fully Supported Frictionless Diaphragm

The Cla-Val NGE, GE & AE series Pressure Reducing Valve automatically reduces a higher inlet pressure to a steady lower downstream pressure regardless of changing flow rate and/ or varying inlet pressure. This valve is an accurate, pilot-operated regulator capable of holding downstream pressure to a pre-determined limit. When downstream pressure exceeds the pressure setting of the control pilot, the main valve and pilot valve close drip tight.

### Schematic Diagram

Model: 690-01, 90-01 & 90A-01

Item	Description
1	Hytrol (NGE, GE or AE Main Valve)
2	CRD Pressure Reducing Pilot
B	Spherical Valves
Y	"Y" Strainer



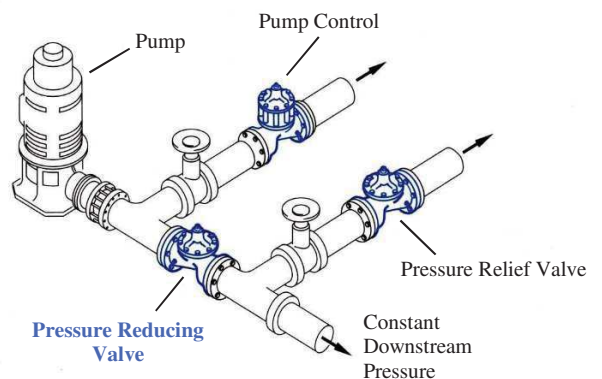
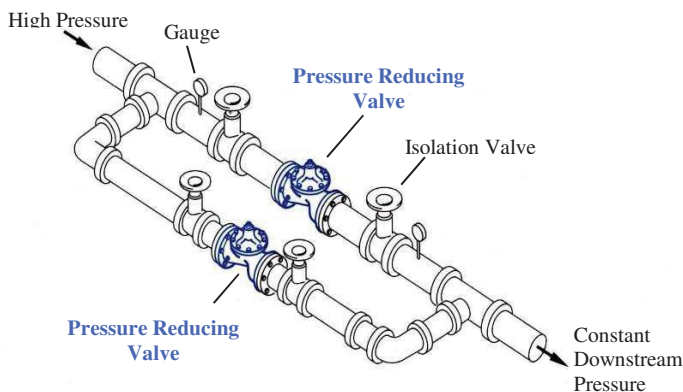
### Optional Features

Item	Description
C	CV Flow Control Valve (Opening / Closing Speed Control)

### Typical Applications

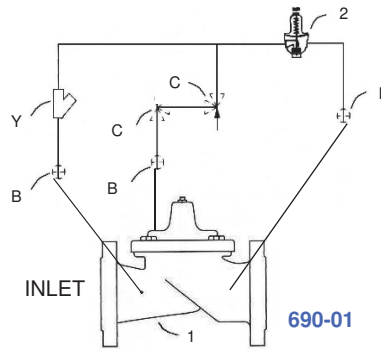
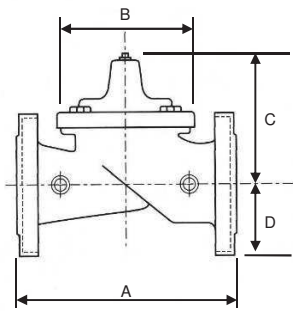
Typical pressure reducing valve station using NGE, GE or AE series in parallel to handle wide range of flow rates. Larger size valve takes care of peak loads and

The NGE, GE or AE series Pressure Reducing Valve is installed downstream of a pump where a constant system pressure is required.



# Pressure Reducing Valve

**NGE Series Model: 690-01 - Uses Basic Valve Series NGE**



## Dimensions

Size inch (mm)	50	65	80	100	150	200	250	300	350	400	500	600	750	900	1000
A	216	279	260	353	451	543	660	762	870	889	1219	1219	1607	1651	1930
B	143	203	168	232	292	400	508	600	698	711	900	900	1351	1422	1676
C	140	192	178	219	295	381	454	533	530	654	800	800	1116	1387	1562
D	64	89	95	114	140	171	203	241	279	298	370	432	505	648	711

## Pressure Ratings (Recommended Maximum Pressure - psi)

Valve Body & Cover		Pressure Class		
		Flanged *		Screwed
Grade	Material	ANSI Standard	BS EN Standard	End Details
ASTM A536 (BSEN 1563)	Ductile Iron	Class 150	PN16	N/A
		250 psi		
Note: * Flanged valves comply with BSEN 1092 drilling				

## Materials

Body & Cover	Ductile Iron (BS EN1563)*
Disc Trim (Guide)	Stainless Steel (BS EN10283 Gr.1.4408)
Seat	Stainless Steel (BS EN10283 Gr.1.4408)**
Diaphragm	EPDM Rubber (WRAS Approved)
Stem	Austenitic Chromium Nickel Stainless Steel (BS EN10088 Gr.1.4401)

\* With Internal & External Epoxy coating (Blue Color)

\*\*With Teflon Coated For Sea Water Application



E-724-01 (R-6/00)

## CLA-VAL

PO Box 1325 Newport Beach CA 92659-0325  
Phone: 949-722-4800 • Fax: 949-548-5441

### CLA-VAL CANADA, LTD.

4687 Christie Drive  
Beamsville, Ontario  
Canada LOR 1B4  
Phone: 905-563-4963  
Fax: 905-563-4040

©COPYRIGHT CLA-VAL 2000 Printed in USA  
Specifications subject to change without notice.

### CLA-VAL SA

Chemin des Mesanges 1  
CH-1032 Romanel/  
Lausanne, Switzerland  
Phone: 41-21-643-15-55  
Fax: 41-21-643-15-50

[www.cla-val.com](http://www.cla-val.com)

Represented By: