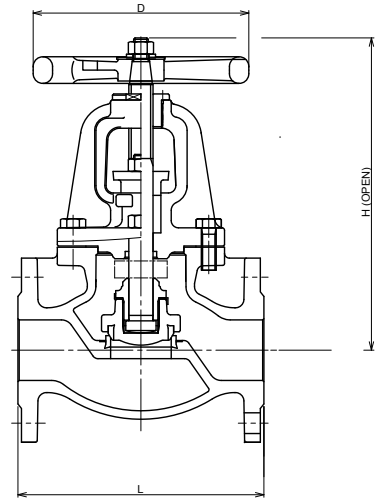


# EN13789 PN16 CAST IRON GLOBE VALVE

BOLTED BONNET, OUTSIDE SCREW & YOKE, FLANGED ENDS

16 bar at 120°C, 12.8 bar at 200°C

Fig. 510SHK



## Parts & Materials

Parts	Materials	Specifications
Body	Cast Iron	EN-GJL-250
Bonnet	Cast Iron	EN-GJL-250
Stem	Stainless Steel	420SS
Disc	Cast Iron	EN-GJL-250
Body Seat Ring	Cast Bronze	CC491K
Disc Seat Ring	Cast Bronze	CC491K

## Design Specifications

Face To Face Or End To End	EN558 PN16 Basic Series 10
End Connection	EN1092-2 PN16
Wall Thickness	Manufacture's Standard

## Dimensions

DN	inch	2	2.1/2	3	4	5	6	8	10	12
	mm	50	65	80	100	125	150	200	250	300
L		203	216	241	292	330	356	495	622	698
H(Open)		256	278	323	365	417	472	533	550	622
D		178	178	200	254	300	300	348	400	457