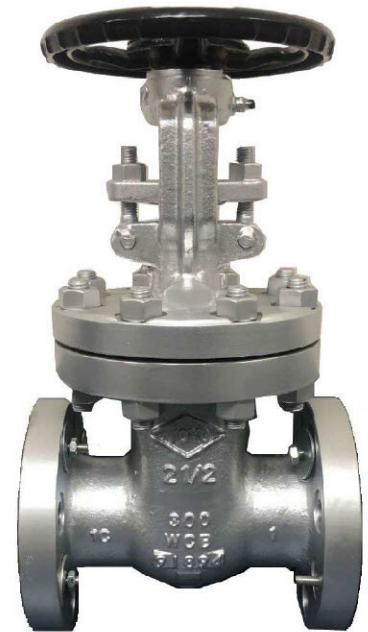
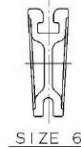
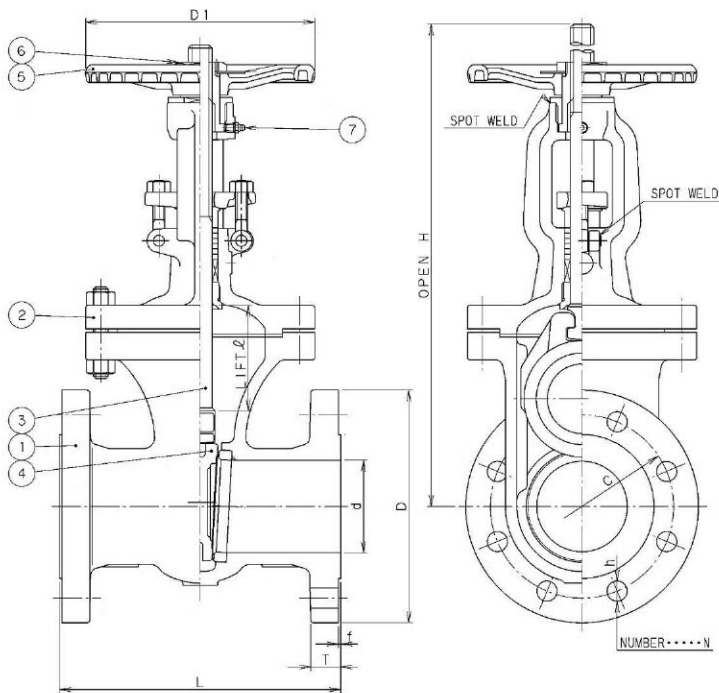


FIG. 722A



EN1984 CARBON STEEL GATE VALVE

Class 300 with PN40 Flange drilling, rising Stem. bolted bonnet



Material

No.	Name of Parts	Material	BS Equivalent
1	Body	Carbon Steel SCPH2	BS EN 10213 Gr. GP280GH
2	Bonnet	Carbon Steel SCPH2	BS EN 10213 Gr. GP280GH
3	Stem	Stainless Steel A182 Gr.F6a	BS EN 10088-3 Gr 1.4024
4	Disc Seat Face	Stainless Steel 13%Cr	BS EN 10283 Gr 1.4011
5	Hand Wheel	Ductile Iron FCD400	
6	Name Plate	Stainless Steel SUS403	
7	Grease Nipple	S20C	

Working Pressure / Temperature

Working Pressure Non-Shock	Test Pressure (Water)		Working Temp.
	Body	Seat	
Water, Oil & Gas 40 Bar *1,2	BS EN 1984	BS EN 12266	-10°C to 38°C
	74 Bar	44 Bar	

*1. For elevated working temperature, please consult factory for reduced working pressure.
 *2. When drilled with ANSI Class 300, higher working pressure allowed, please consult factory

Dimensions

SIZE		d	H	D1	L	Flange					LIFT ℓ	MASS (kg)
B	A					D	C	N	h	T		
2"	50	50.5	411	200	216	165	125	4	18	20	65	27
2½"	65	65	456	200	241	190	145	8	18	22	76	0.50
3"	80	80	528	250	283	210	160	8	18	24	96	49
4"	100	101	613	250	305	254	190	8	22	26	118	72
6"	150	151	790	350	403	318	250	8	26	30	166	138

Toyo Valve Co., Ltd.