



WF362 WAFER TYPE BUTTERFLY VALVE

Product Characteristic and features

- * Centric disc, reduce flow resistance
- * Bubble tight shut off in both flow directions
- * Vulcanized rubber seat prevent distortion
- * Epoxy coated body to prevent corrosion
- * Extended neck for insulation
- * Wafer type for flanges acc. To BS EN1092-2
- * Face-to-face acc. To BS EN558-1 basic series 20
- * Top flange to ISO 5211 for actuator mounting

Design

Pressure rating	16 bar and 25 bar
Temperature rating	Ambient to Max 85° C
Body	Flangeless wafer type
End connection	EN1092-2 PN16 and PN25
Face to Face	EN558-1/2, Series 20
Body Seat	Resilient seat
Shaft Seal	O-ring bush
Operator	Lever (DN50 ~ 200) Gear (DN50 ~ 600) Actuator (DN50 ~ 600)

Material of Construct

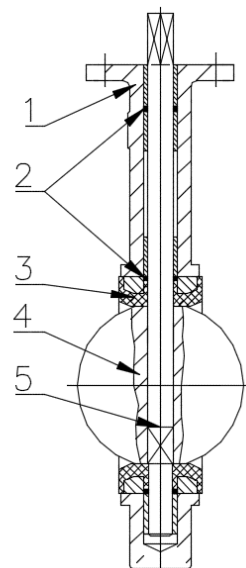
Item	Parts	Material Standard
1	Body	Ductile Iron EN-GJS-500 with epoxy
2	O-ring	EPDM or NBR (Buna-N)
3	Seat	EPDM or NBR (Buna-N)
4	Disc	Ductile Iron EN-GJS-500 with epoxy St. St. to BSEN 10088 1.4401 (316SS) Aluminium Bronze ASTM C95400
5	Shaft	St. St. to BSEN 10088 1.4021 (420SS) St. St. to BSEN 10088 1.4401 (316SS)

Testing

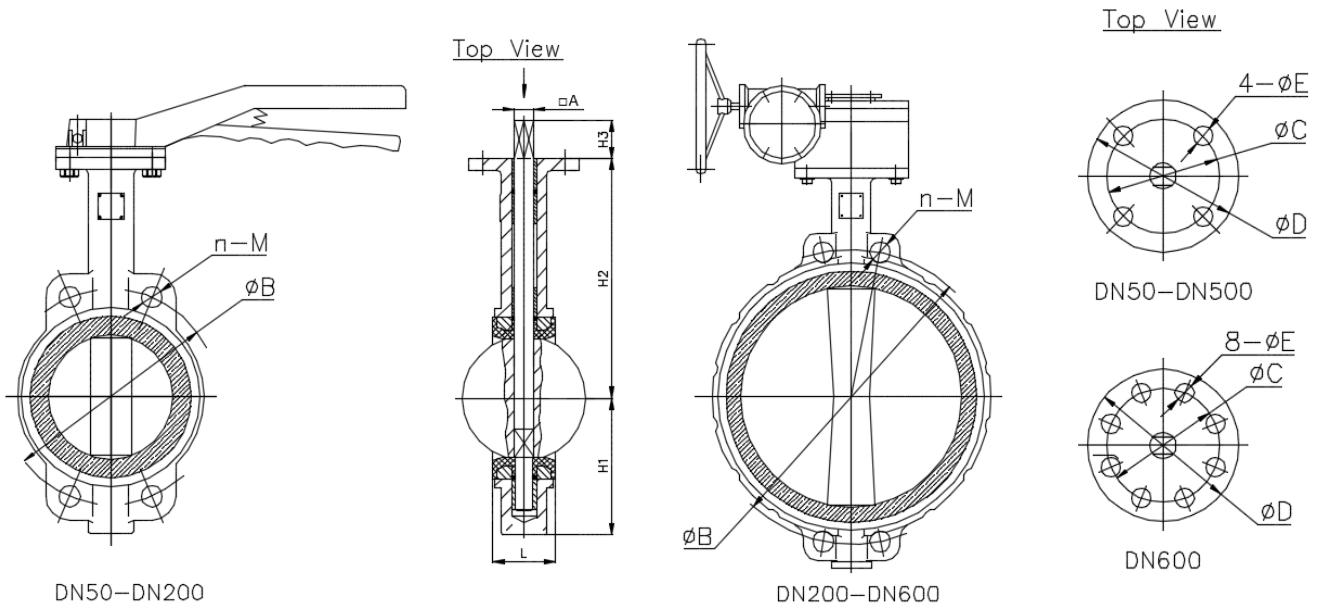
Body Strength test	BSEN 12266-1, 24 bar / 37.5 bar
Seat tightness test	BSEN 12266-1, 17.6 bar / 27.5 bar ISO 5208 rate A
Operability test	BSEN 12266-2, F20

Approval

Valve	WRAS approval no. 1510909 (PN16)
-------	----------------------------------



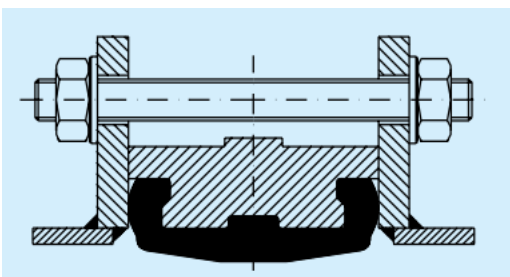
WF362 WAFER TYPE BUTTERFLY VALVE



Dimension Data

Size	H1	H2	H3	L	□ A	ØB(PN16)	n-M(PN16)	ØB(PN25)	n-M(PN25)	ØC	ØD	ØE	ISO
50	76	162	45	43	9	125	4-M16	125	4-M16	50	65	8	F05
65	80	175	45	46	9	145	4-M16	145	8-M16	50	65	8	F05
80	95	181	45	46	9	160	8-M16	160	8-M16	50	65	8	F05
100	114	200	45	52	11	180	8-M16	190	8-M20	70	90	9	F07
125	127	213	45	56	14	210	8-M16	220	8-M24	70	90	9	F07
150	140	225	45	56	14	240	8-M20	250	8-M24	70	90	9	F07
200	173	260	45	60	17	295	12-M20	320	12-M27	102	125	11	F10
250	203	292	45	68	22	355	12-M24	385	12-M30	102	125	11	F10
300	237	337	45	78	22	410	12-M24	450	16-M30	102	125	11	F10
350	279	368	45	78	22	470	16-M24	510	16-M33	102	125	11	F10
400	304	400	51	102	22	525	16-M27	585	16-M36	165	210	22	F16
450	362	422	51	114	24	585	20-M27	610	20-M36	165	210	22	F16
500	368	479	64	127	27	650	20-M30	670	20-M39	165	210	22	F16
600	444	562	70	154	34	770	20-M33	795	20-M45	254	300	18	F25

Installation



Wafer type butterfly valve is for clamping between the two flanges ends of the pipe

- No gasket should be installed between the valve and flanges