



WF362 LUG TYPE BUTTERFLY VALVE

Product Characteristic and features

- * Centric disc, reduce flow resistance
- * Bubble tight shut off in both flow directions
- * Vulcanized rubber seat prevent distortion
- * Epoxy coated body to prevent corrosion
- * Extended neck for insulation
- * Lug type for flanges acc. To BS EN1092-2
- * Face-to-face acc. To BS EN558-1 basic series 20
- * Top flange to ISO 5211 for actuator mounting

Design

Pressure rating	16 bar
Temperature rating	Ambient to Max 85° C
Body	Lugged wafer type
End connection	EN1092-2 PN16
Face to Face	EN558-1/2, Series 20
Body Seat	Resilient seat
Shaft Seal	O-ring bush
Operator	Lever (DN50 ~ 200) Gear (DN50 ~ 600) Actuator (DN50 ~ 600)

Testing

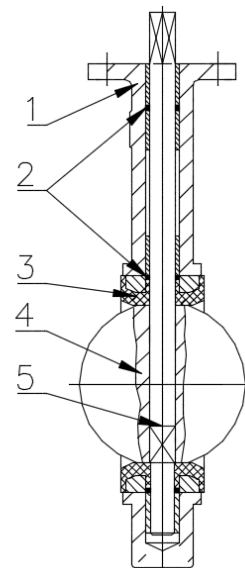
Body Strength test	BSEN 12266-1, 24 bar
Seat tightness test	BSEN 12266-1, 17.6 bar ISO 5208 rate A
Operability test	BSEN 12266-2, F20

Approval

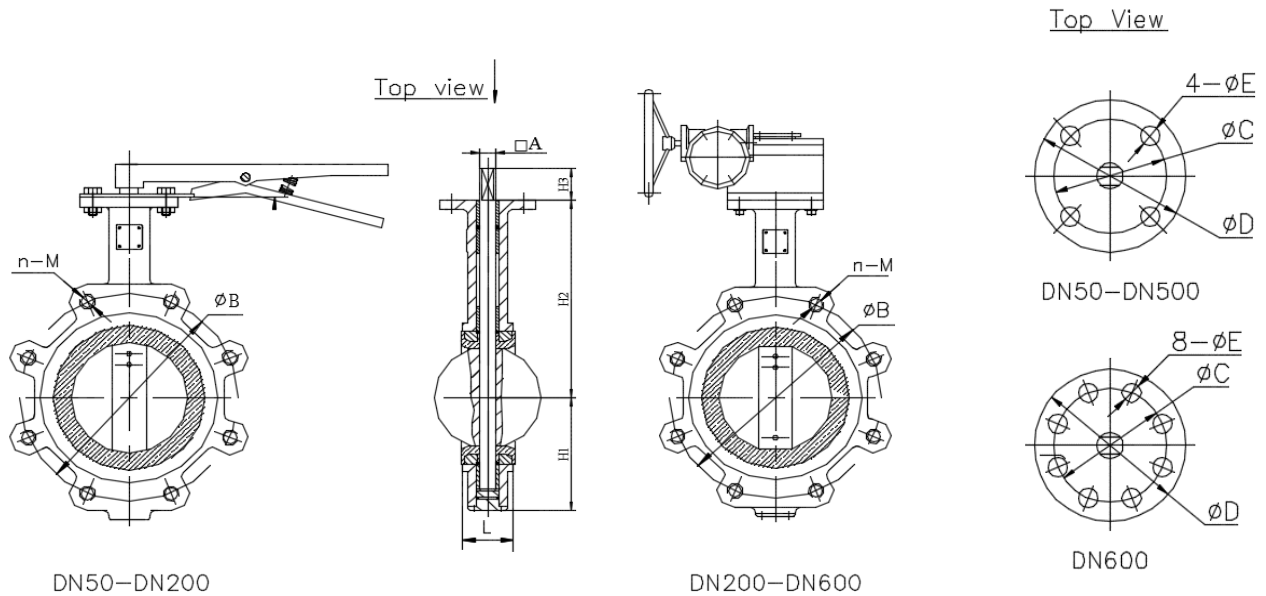
Valve	WRAS approval no. 1510909
-------	---------------------------

Material of Construct

Item	Parts	Material Standard
1	Body	Ductile Iron EN-GJS-500 with epoxy
2	O-ring	EPDM or NBR (Buna-N)
3	Seat	EPDM or NBR (Buna-N)
4	Disc	Ductile Iron EN-GJS-500 with epoxy St. St. to BSEN 10088 1.4401 (316SS) Aluminium Bronze ASTM C95400
5	Shaft	St. St. to BSEN 10088 1.4021 (420SS) St. St. to BSEN 10088 1.4401 (316SS)



WF362 LUG TYPE BUTTERFLY VALVE

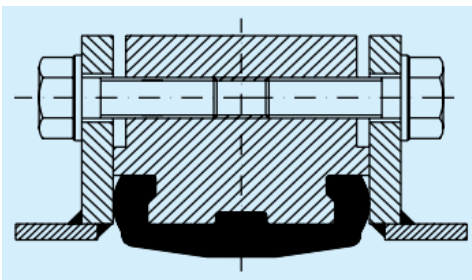


Dimension Data

Size	H1	H2	H3	L	□ A	ØB	n-M	ØC	ØD	ØE	ISO
50	76	162	45	43	9	125	4-M16	50	65	8	F05
65	80	175	45	46	9	145	4-M16	50	65	8	F05
80	95	181	45	46	9	160	8-M16	50	65	8	F05
100	114	200	45	52	11	180	8-M16	70	90	9	F07
125	127	213	45	56	14	210	8-M16	70	90	9	F07
150	140	225	45	56	14	240	8-M20	70	90	9	F07
200	173	260	45	60	17	295	12-M20	102	125	11	F10
250	203	292	45	68	22	355	12-M24	102	125	11	F10
300	237	337	45	78	22	410	12-M24	102	125	11	F10
350	279	368	45	78	22	470	16-M24	102	125	11	F10
400	304	400	51	102	22	525	16-M27	165	210	22	F16
450	362	422	51	114	24	585	20-M27	165	210	22	F16
500	368	479	64	127	27	650	20-M30	165	210	22	F16
600	444	562	70	154	34	770	20-M33	254	300	18	F25

- Size from DN700 to DN1800 are available as engineering product.

Installation



Lug type butterfly valve is for clamping between the two flanges ends of the pipe. Bolts are threaded into the valve body (lug).

- No gasket should be installed between the valve and flanges