



## WF362 DOUBLE FLANGE TYPE BUTTERFLY VALVE

### Product Characteristic and features

- \* Centric disc, reduce flow resistance
- \* Bubble tight shut off in both flow directions
- \* Vulcanized rubber seat prevent distortion
- \* Epoxy coated body to prevent corrosion
- \* Flanges acc. To BS EN1092-2
- \* Face-to-face acc. To BS EN558-1 basic series 13
- \* Top flange to ISO 5211 for actuator mounting

### Design

Pressure rating	16 bar
Temperature rating	Ambient to Max 85° C
Body	Double flange type
End connection	EN1092-2 PN16
Face to Face	EN558-1/2, Series 13
Body Seat	EPDM
Shaft Seal	O-ring bush
Operator	Lever (DN50 ~ 200) Gear (DN50 ~ 600) Actuator (DN50 ~ 600)

### Material of Construct

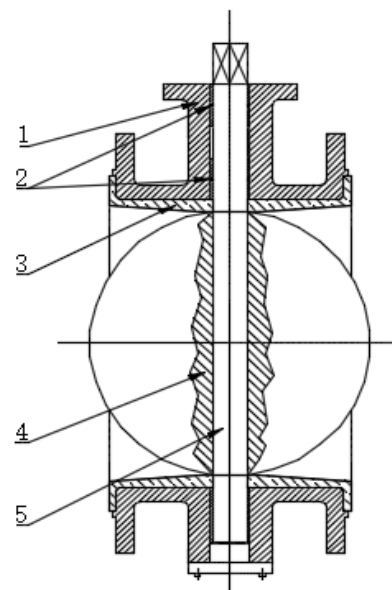
Item	Parts	Material Standard
1	Body	Ductile Iron EN-GJS-500 with epoxy
2	O-ring	EPDM
3	Seat	EPDM
4	Disc	Ductile Iron EN-GJC-500 with epoxy St. St. to BSEN 10088 1.4401 (316SS) Aluminium Bronze ASTM C95400
5	Shaft	St. St. to BSEN 10088 1.4021 (420SS) St. St. to BSEN 10088 1.4401 (316SS)

### Testing

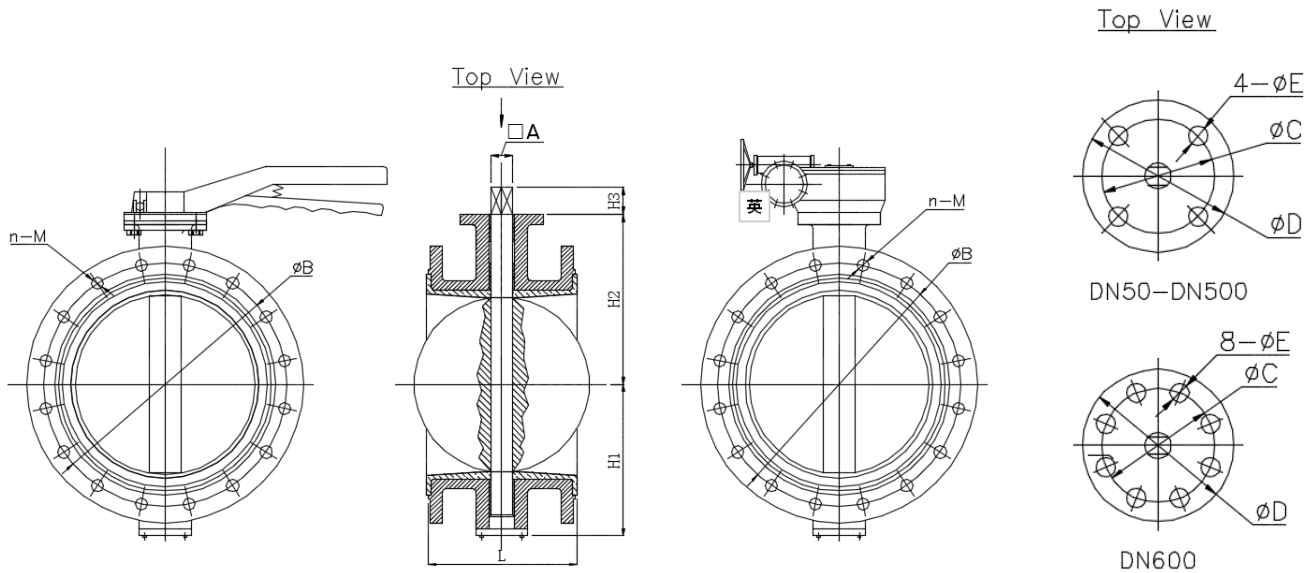
Body Strength test	BSEN 12266-1, 24 bar
Seat tightness test	BSEN 12266-1, 17.6 bar ISO 5208 rate A
Operability test	BSEN 12266-2, F20

### Approval

Valve	WRAS approval no. 1510909
-------	---------------------------



## WF362 DOUBLE FLANGE TYPE BUTTERFLY VALVE



### Dimension Data

Size	H1	H2	H3	L	□ A	ØB	n-M	ØC	ØD	ØE	ISO
50	80	110	45	108	9	125	4-M16	50	65	8	F05
65	80	134	45	112	9	145	4-M16	50	65	8	F05
80	95	145	45	114	9	160	8-M16	50	65	8	F05
100	114	150	45	127	11	180	8-M16	70	90	9	F07
125	114	170	45	140	14	210	8-M16	70	90	9	F07
150	139	180	45	140	14	240	8-M20	70	90	9	F07
200	175	210	45	152	17	295	12-M20	102	125	11	F10
250	203	245	45	165	22	355	12-M24	102	125	11	F10
300	242	276	45	178	22	410	12-M24	102	125	11	F10
350	256	328	45	190	22	470	16-M24	102	125	11	F10
400	296	376	51	216	22	525	16-M27	165	210	22	F16
450	316	406	51	222	24	585	20-M27	165	210	22	F16
500	352	448	64	229	27	650	20-M30	165	210	22	F16
600	444	518	70	267	34	770	20-M33	254	300	18	F25