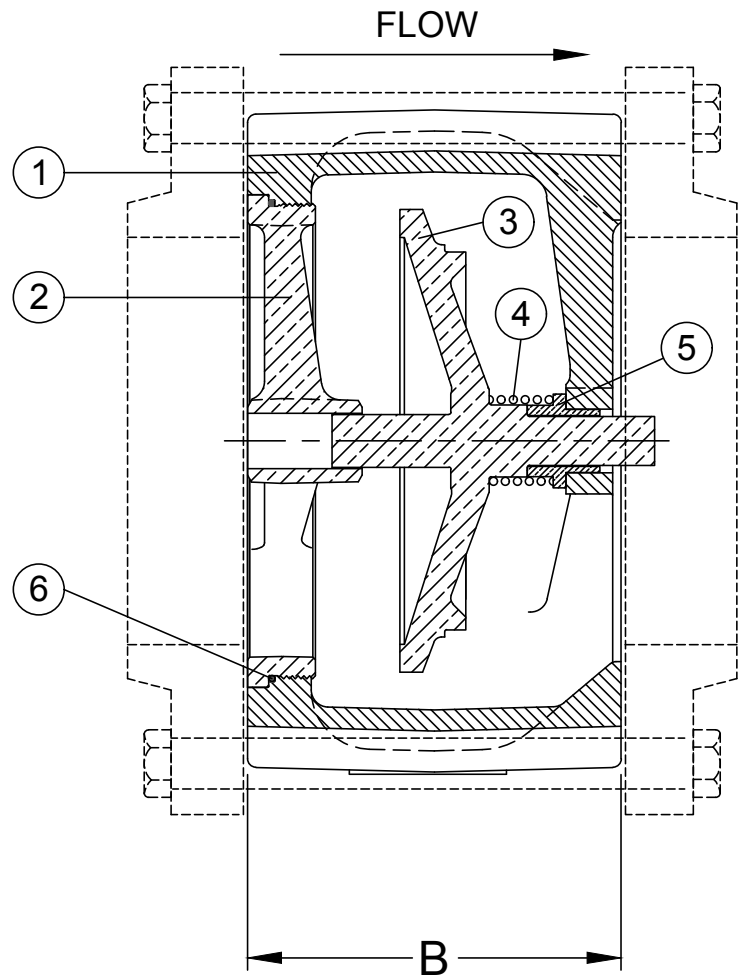
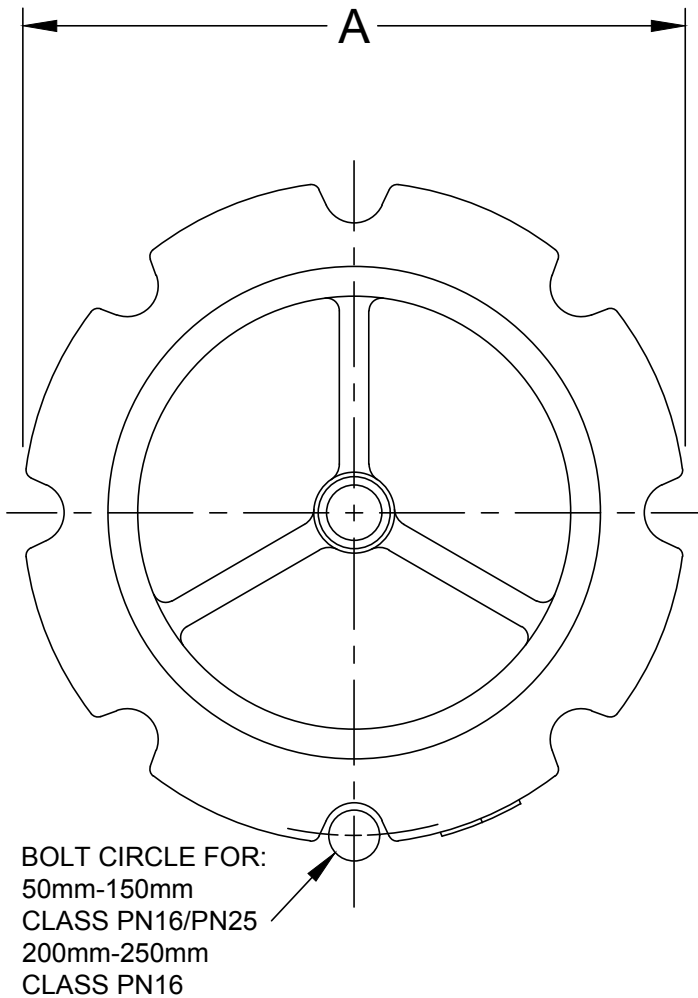


FLANGES, BOLTS, NUTS AND GASKETS SUPPLIED BY OTHERS.



VALVE DEPICTS 150mm SIZE TO SCALE.

SEE DRAWING NO. VM-1402AHKXF-M FOR STANDARD MATERIALS OF CONSTRUCTION.

VALVE SIZE	MODEL NO.	FLANGE CLASS	CWP (BAR)	A	B
50	1402AHKXF	PN16/25	25	4.25	2.63
65	1425AHKXF	PN16/25	25	5.00	2.88
80	1403AHKXF	PN16/25	25	5.75	3.13
100	1404AHKXF	PN16/25	25	7.00	4.00
150	1406AHKXF	PN16/25	25	9.75	5.50
200	1408AHKXF	PN16	16	13.50	6.50
250	1410AHKXF	PN16	16	16.00	8.50

BS4504 PN 16/25 WAFER STYLE SILENT CHECK VALVE

DATE 8-15-16

VAL-MATIC[®]

VALVE AND MANUFACTURING CORP.

DRWG. NO.

VM-1402AHKXF