

# SF-600-316

## Floating Flanged Type Stainless Steel Flexible Joint



TOZEN braided metal flexible joints are designed to control vibration, reduce noise, relieve stress, prevent system shock and compensate for misalignment and movement.

Use of TOZEN braided metal flexible joints for applications such as pumps, compressors, and other mechanical equipment will enhance the overall operation of the system.

Flexible hose by itself, when subjected to high pressure can over-extend past the ability to operate properly it is necessary, therefore, to include an external flexible restraint (i.e. braid) to withstand the specified internal pressure and fastened to the ends of both hose and fittings.

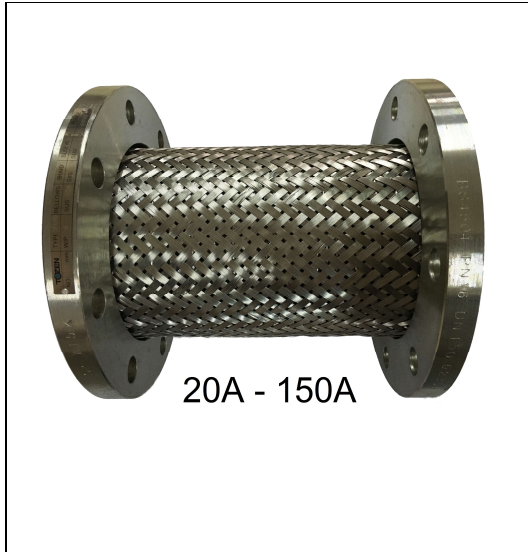
This braid sheath is designed to be strong enough to withstand elongation for the full pressure rating of the hose. Inner hoses and braids can be made from a variety of different metals to meet system needs. Common materials used for TOZEN braided metal flexible joints are a 304 stainless steel hose and a 304 stainless steel braid sheath. 316 hoses are available optionally to more corrosive applications. Many kinds of connections (unions, flanges, couplings, etc.) with various materials are available on your request. Please consult us.

### SPECIFICATION

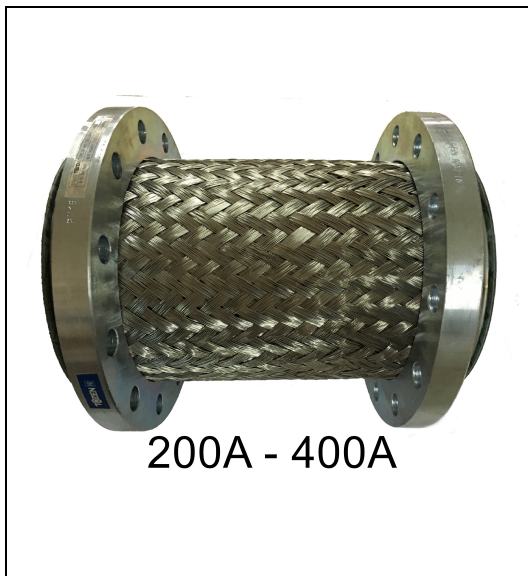
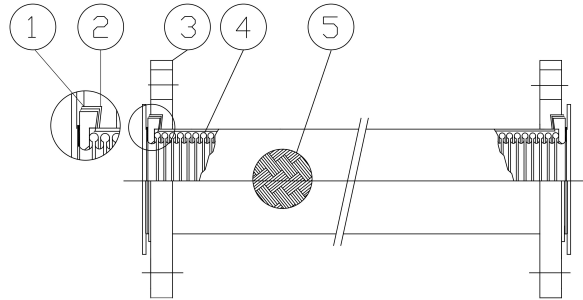
Model (Code)	Nominal Diameter {mm(inch)}	Overall Length (mm)	Lateral Movement (mm)	Working Pressure (Kgf/cm <sup>2</sup> )
SF-600-15F	15 (1/2)	300	34.0	16
SF-600-20F	20 (3/4)	300	34.0	16
SF-600-25F	25 (1)	300	34.0	16
SF-600-32F	32 (1¼)	300	33.0	16
SF-600-40F	40 (1½)	300	32.0	16
SF-600-50F	50 (2)	300	24.0	16
SF-600-65F	65 (2½)	300	32.0	16
SF-600-80F	80 (3)	300	32.0	16
SF-600-100F	100 (4)	300	26.0	16
SF-600-125F	125 (5)	300	20.0	16
SF-600-150F	150 (6)	300	18.0	16
SF-600-200F	200 (8)	300	9.0	16
SF-600-250F	250 (10)	300	3.4	16
SF-600-300F	300 (12)	300	2.8	16

**Remarks** : Large size and different length available on request.  
The flange standard is drilled to BS4504 PN16 (BS EN 1092-1) or other standard can be changed on your request, please consult us.  
Tolerances of overall length: +/-20mm.

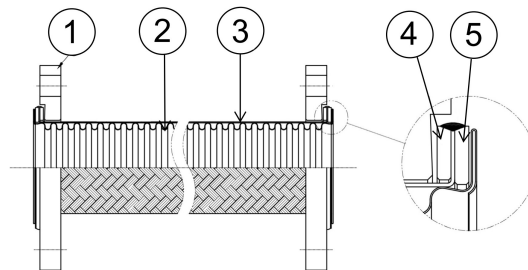
All contact fluid parts are stainless steel 316.  
 Application: Water, Steam, Turbines, Gas, Fuel Oil, Air, etc.  
 Max. Working Pressure: 16 Bar  
 Max. Working Temperature: 220°C



No.	Parts	Materials
1	Ring	Carbon Steel
2	Retainer	Carbon Steel
3	Loose Flange	Carbon Steel
4	Bellow	Stainless Steel 316
5	Braiding	Stainless Steel 304



No.	Parts	Materials
1	Loose Flange	Carbon Steel
2	Bellows	Stainless Steel 316
3	Braiding	Stainless Steel 304
4	Front ring	Carbon Steel
5	Back ring	Carbon Steel



**TOZEN CORPORATION**

8-4, Asahi, Yoshikawa-shi, Saitama-ken 342 Japan  
 Tele: (0489) 93-1035  
 Fax: (0489) 93-1018