

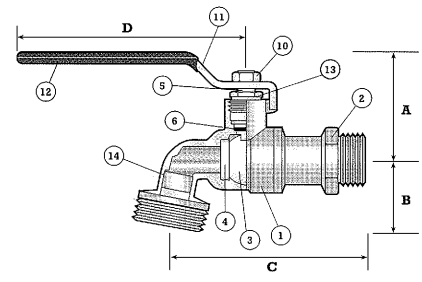
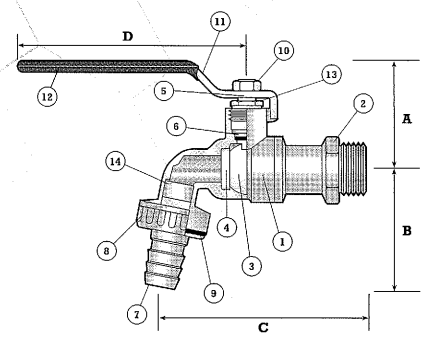
FEATURES	
•	Chrome plated Brass.
•	Quarter turn operation.
•	Inlet thread BS 2779 Parallel.
•	Ball valve operation.
•	1/2" and 3/4" with hose connection.
•	1/2" option with 3/4" AT hose thread (PB50).
•	PN16 rated.

RANGE		
Patt. No.	Sizes	
	1/2"	3/4"
PB50 HU	•	•
PB50	•	-

DIMENSIONS (MM)		
Description	Sizes	
	1/2"	3/4"
A Centre Line to Top of Lever	45	45
B Centre Line to End of Tailpipe/Outlet	45	50
C Inlet to Centre of Outlet	PB50 HU	89
	PB50	86
D Centre of Spindle to End of Lever	93	93
Weight kg	PB50 HU	0.257
	PB50	0.220

MAXIMUM PRESSURE CONDITIONS			
Size	Maximum Pressure Conditions (bar)		
	Temperatures up to 60°C	Temperatures up to 100°C	
1/2"	16	8	
3/4"	16	8	
1/2" x 3/4"	16	8	

SUITABLE FOR							
Steam	Water	Oil	Air	Gases			
				Inert	Combustible	Corrosive	Oxygen
✓	✓	✓	✗	✗	✗	✗	✗



MATERIAL SPECIFICATION		
No.	Component	Material
1	Body	MS58 Brass
2	Cap	MS58 Brass
3	Ball	MS58 Brass
4	Ball Seal	PTFE
5	Spindle	MS58 Brass
6	Spindle Seal	NBR
7	Hose Pipe	MS58 Brass
8	Hose Nut	MS58 Brass
9	Hose Union 'O' Ring	NBR
10	Lever Nut	Brass
11	Lever	A3 Steel
12	Lever Grip	PVC
13	Gland Nut	MS58 Brass
14	Flow Straightener	Polyethylene