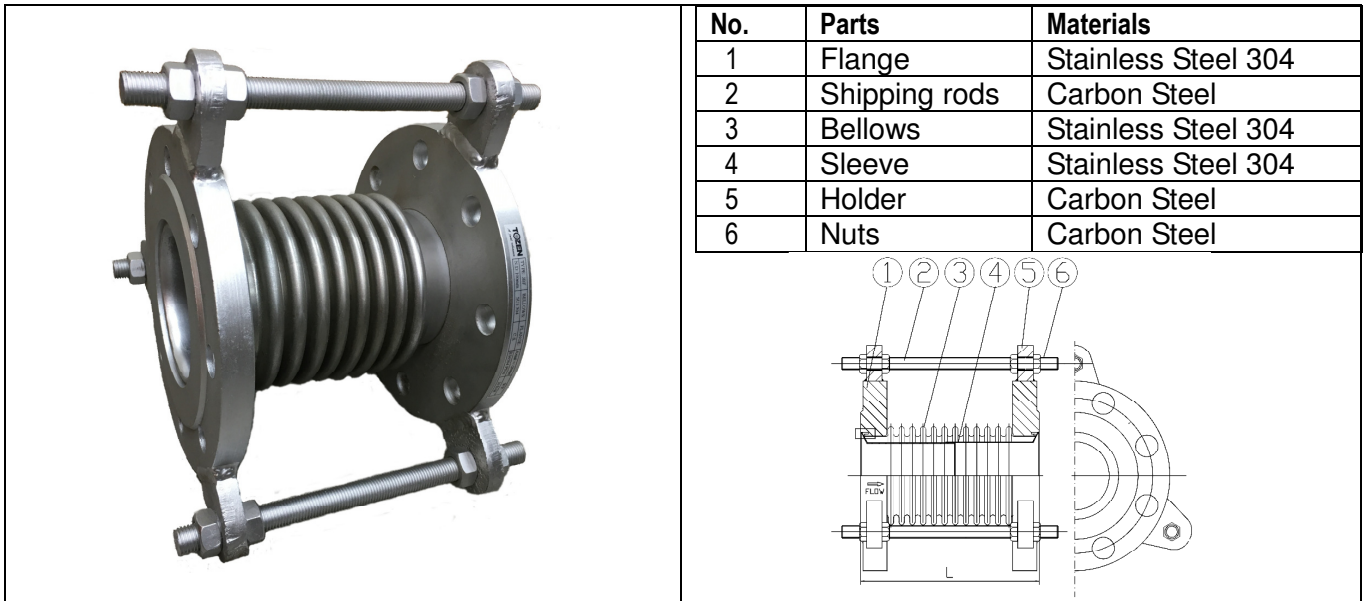


# JBF-304P

## Stainless Steel 304 Expansion Joint Complete with Shipping Rods



Application: Potable Water, Steam, Turbines, Gas, Fuel Oil, Air, etc.  
 Max. Working Pressure: 16 Bar  
 Max. Working Temperature: 220°C

### SPECIFICATION

Nominal Diameter {mm(inch)}	Overall Length L:(mm)	Axial Movement (+/- mm)	Working Pressure (Bar)
20(3/4)	120	15	16
25(1/2)	120	15	16
32(1¼)	120	15	16
40(1½)	150	15	16
50(2)	150	15	16
65(2½)	150	20	16
80(3)	150	20	16
100(4)	200	20	16
125(5)	200	20	16
150(6)	200	20	16
200(8)	250	20	16
250(10)	250	20	16
300(12)	250	20	16

Remarks : Large size, various lengths, and different axial movement available on request.  
 The flange standard is drilled to BS4504 PN16 (BS EN 1092-1) or another standard can be changed on your request, please consult us.  
 Tolerances of overall length: +/-5%.

### TOZEN CORPORATION

8-4, Asahi, Yoshikawa-shi, Saitama-ken 342 Japan  
 Tele: (0489) 93-1035  
 Fax: (0489) 93-1018