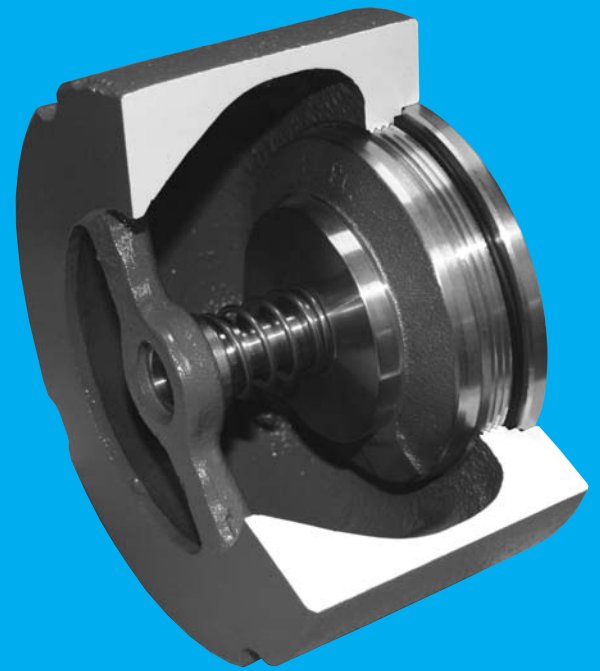


# SHHH... SHHH

# S

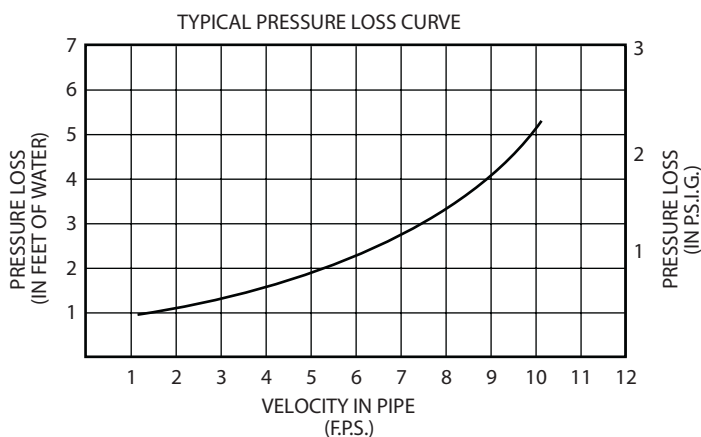
# SHOCK- PROOF PIPING SYSTEMS


**1400 SERIES**

## with **VAL-MATIC**<sup>®</sup> **WAFER STYLE Silent Check Valves**

Designed and engineered for silent operation with low head loss in a compact wafer body. Specially designed spring controls the closure of Val-Matic Silent Check Valves. . . closing valve disc in advance of flow reversal, thereby reducing the potential for water hammer and damaging shock normally associated with valve shut-off.

Tear-Drop Contour allows streamline flow and combined with Full Pipe Size Area of Inner Body assures minimal pressure drop.



NOTE: For specific valve size pressure loss curve....  
See Drawing Number 1404.

### VAL-MATIC SILENT CHECK VALVES ARE ENGINEERED FOR SILENT OPERATION / LOW HEAD LOSS *Plus* . . .

- Shortest Feasible Face-to-Face Dimensions
- Lightweight, Space-Saving Wafer Design
- Easily Replaceable Parts
- Functions Equally Well in All Positions
- Simple Flange-Supported Installation
- Cast Iron Body/Bronze or Stainless Steel Trim
- Metal to Metal Seating Standard - Optional Resilient Seating Available

**NOTE:**

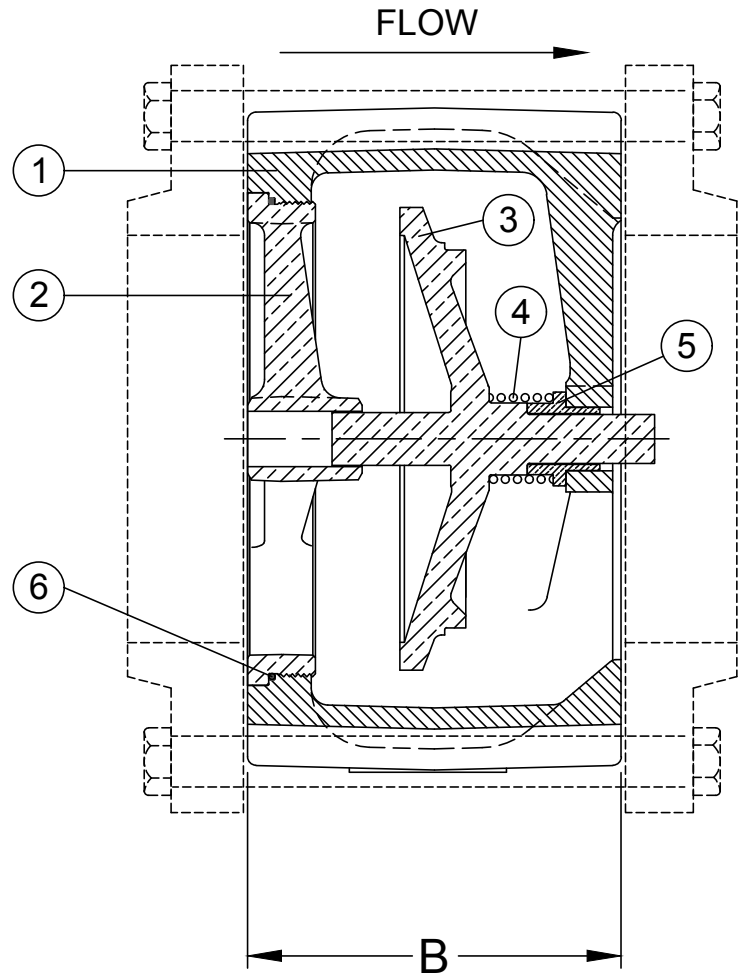
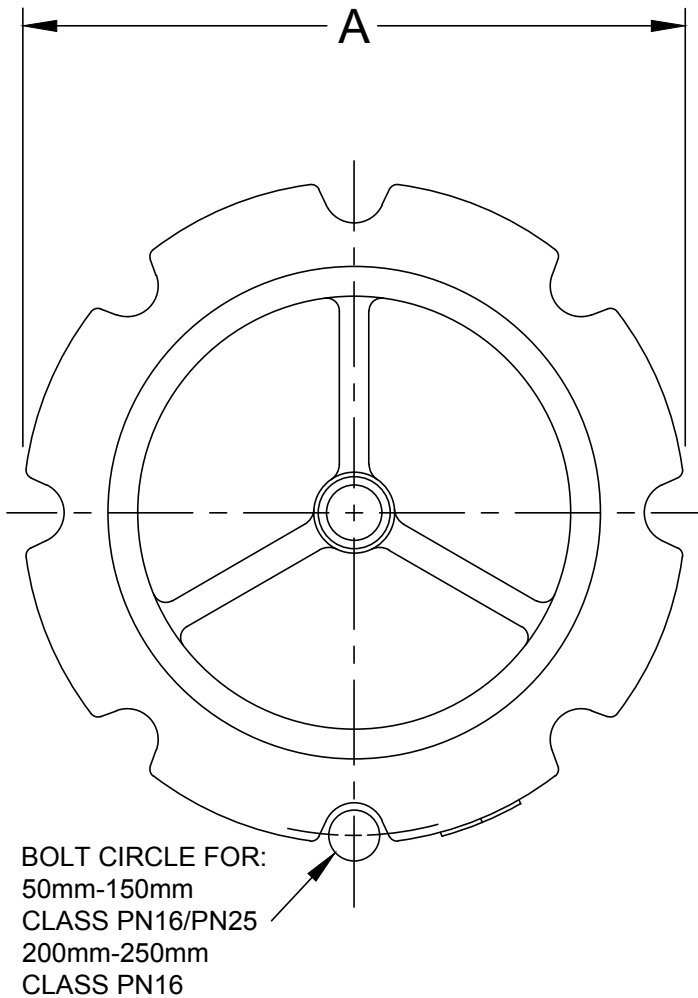
1. Recommended for Liquid Service Only.
2. Flanged Globe Style Valves also Available in 2 1/2" through 42" . . .  
See Val-Matic Bulletin 1800.

# VAL-MATIC<sup>®</sup>

VAL-MATIC VALVE & MANUFACTURING CORP.

905 RIVERSIDE DR. • ELMHURST, IL 60126 • P: 630-941-7600 • F: 630-941-8042  
VALVES@VALMATIC.COM • WWW.VALMATIC.COM

FLANGES, BOLTS, NUTS AND GASKETS SUPPLIED BY OTHERS.



VALVE DEPICTS 150mm SIZE TO SCALE.

SEE DRAWING NO. VM-1402AHKXF-M FOR STANDARD MATERIALS OF CONSTRUCTION.

| VALVE SIZE | MODEL NO. | FLANGE CLASS | CWP (BAR) | A     | B    |
|------------|-----------|--------------|-----------|-------|------|
| 50         | 1402AHKXF | PN16/25      | 25        | 4.25  | 2.63 |
| 65         | 1425AHKXF | PN16/25      | 25        | 5.00  | 2.88 |
| 80         | 1403AHKXF | PN16/25      | 25        | 5.75  | 3.13 |
| 100        | 1404AHKXF | PN16/25      | 25        | 7.00  | 4.00 |
| 150        | 1406AHKXF | PN16/25      | 25        | 9.75  | 5.50 |
| 200        | 1408AHKXF | PN16         | 16        | 13.50 | 6.50 |
| 250        | 1410AHKXF | PN16         | 16        | 16.00 | 8.50 |

BS4504 PN 16/25 WAFER STYLE SILENT CHECK VALVE

DATE 8-15-16

**VAL-MATIC**<sup>®</sup>

VALVE AND MANUFACTURING CORP.

DRWG. NO.

VM-1402AHKXF