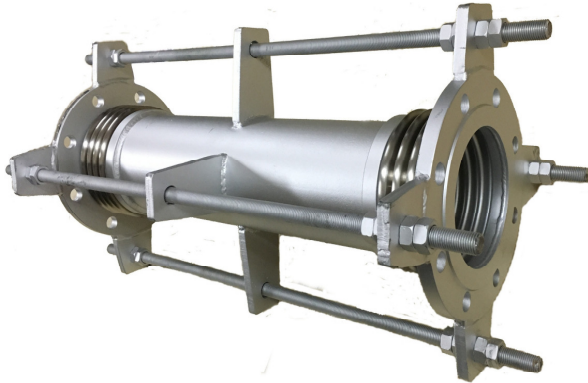


JBU-304P

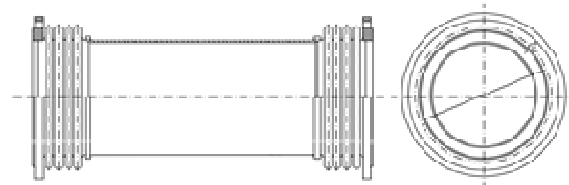
Stainless Steel Settlement Joint

TOZEN Model JBU-304P stainless steel settlement joint is double expansion joint consists of two bellows joined by a common connector for absorbing axial movement and lateral deflection.



Flanges, bellows and pipe (all wet parts) are made of stainless steel 304.

Computer designed bellow element complies with EJMA criteria.

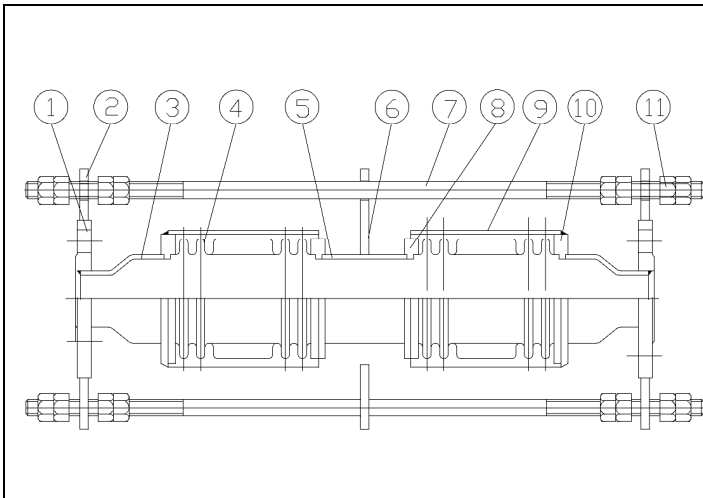


Dimensions & allowable movements

Nominal Diameter {mm(inch)}	Overall Length (mm)	Axial / Lateral Movement (+/- mm)	Working Pressure (Bar)	Max. Working Temperature (Deg.C)
20(3/4)	800	A:50 & L:50	16	200
25(1)	800	A:50 & L:50	16	200
32(1¼)	800	A:50 & L:50	16	200
40(1½)	800	A:50 & L:50	16	200
50(2)	800	A:50 & L:50	16	200
65(2½)	750	A:50 & L:50	16	200
80(3)	750	A:50 & L:50	16	200
100(4)	800	A:50 & L:50	16	200
125(5)	900	A:50 & L:50	16	200
150(6)	900	A:50 & L:50	16	200
200(8)	900	A:50 & L:50	16	200
250(10)	900	A:50 & L:50	16	200
300(12)	1000	A:50 & L:50	16	200

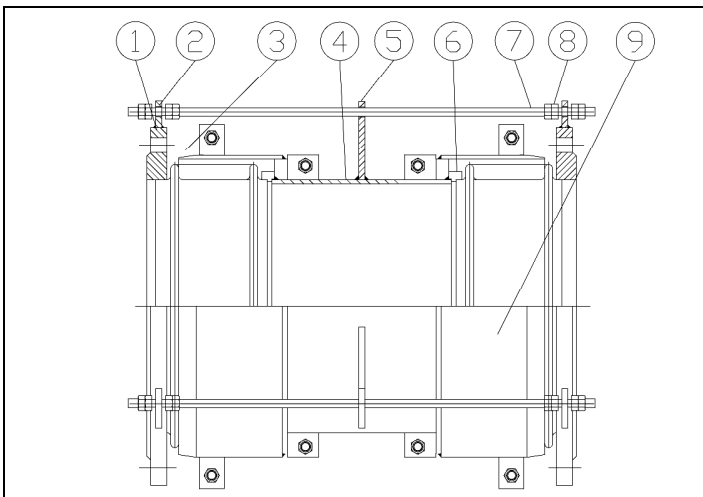
Remarks: Tolerances of overall length: +/-20mm.

Size: 20mm to 50mm



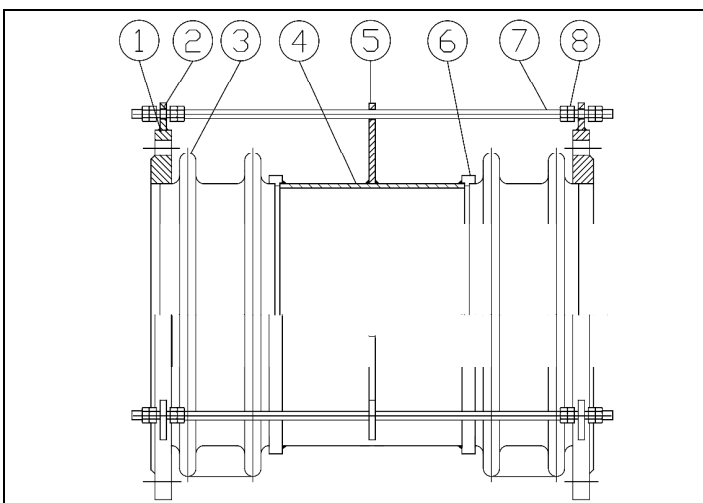
No.	Parts.	Materials
1	Flange	SUS 304
2	Holder	Carbon Steel
3	Inter pipe	SUS 304
4	Bellows	SUS 304
5	Inter pipe	SUS 304
6	Holder	Carbon Steel
7	Shipping rod	Carbon Steel
8	Welding ring	SUS 304
9	Cover	Carbon Steel
10	Welding ring	SUS 304
11	Nut	Carbon Steel

Size: 65mm and 80mm



No.	Parts.	Materials
1	Flange	SUS 304
2	Holder	Carbon Steel
3	Bellows	SUS 304
4	Pipe	SUS 304
5	Holder	Carbon Steel
6	Welding ring	SUS 304
7	Shipping rod	Carbon Steel
8	Nut	Carbon Steel
9	Half cover	Carbon Steel

Size: 100mm to 300mm



No.	Parts.	Materials
1	Flange	SUS 304
2	Holder	Carbon Steel
3	Bellows	SUS 304
4	Pipe	SUS 304
5	Holder	Carbon Steel
6	Welding ring	SUS 304
7	Shipping rod	Carbon Steel
8	Nut	Carbon Steel

TOZEN CORPORATION

8-4, Asahi, Yoshikawa-shi, Saitama-ken 342 Japan
 Tele: (0489) 93-1035
 Fax: (0489) 93-1018