

Test Report
Dimensions Check of Balancing Valve
(In-house method)

Date of issue : 22 August 2016

Page 1 of 3 page(s)

Castco LRN : DP0160730-341 DIM

Details as supplied by customer

Customer : Gate Way Valve & Fitting Ltd.

Customer's ref. no. : - -

Address : Flat A1, 4/F., Galaxy Factory Building, 25-27 Luk Hop Street, San Po Kong, Kowloon, H. K. Contract no. : - -

Job title : - -

Sample description : Honeywell Model Kombi - 2 plus (V5032) Double Regulating Balancing Valve. PN16 Rating, Screwed End

Nominal pressure (PN) : 16

Manufacturer : Honeywell GmbH

Brand name : Honeywell

Model no. : Kombi - 2 plus (V5032)

Origin : European Union

Laboratory test results


Date of sample received : 30 July 2016

Date of test : 30 July 2016

Specimen no.	DP0160730-342	DP0160730-343	DP0160730-344	DP0160730-345	DP0160730-346	DP0160730-347	DP0160730-348	DP0160730-349	
DN (mm)	15	20	25	32	40	50	65	80	
Inch	1/2"	3/4"	1"	1-1/4"	1-1/2"	2"	2-1/2"	3"	
H (mm)	Measured mean value	100.3	116.5	120.8	159.5	164	191	193.5	211.5
	Manufacturer requirement	101	116	121	160	164	192	195	210
L1 (mm)	Measured mean value	62.5	74.5	90	109.5	123	149.5	178.5	202
	Manufacturer requirement	65	75	90	110	120	150	180	200
L2 (mm)	Measured mean value	13.5	17	22	25.5	31	36.5	67.3	71.8
	Manufacturer requirement	15	18	22	27	30	38	68	73
SW (mm)	Measured mean value	28	31.5	40.8	49.3	53	70.8	83.5	100
	Manufacturer requirement	27	32	41	50	55	70	85	100

Remark(s) :

1. Test results relate only to the specimen tested.

Checked by :  **FU HO MAN**
Assistant Technical OfficerCertified by :  **WONG KA MAN**
Laboratory Manager**CERTIFIED COPY**
Castco Testing Centre Ltd.

Test Report

Hydrostatic Strength Test of Balancing Valve
(BS EN 12266-1 : 2012 Clause 4 Annex A)

Date of issue : 22 August 2016

Page 2 of 3 page(s)

Castco LRN : DP0160730-341 DIM

Details as supplied by customer

Customer : Gate Way Valve & Fitting Ltd.

Customer's ref. no. : - -

Address : Flat A1, 4/F., Galaxy Factory Building, 25-27 Luk Hop Street, San Po Kong, Kowloon, H. K. Contract no. : - -

Job title : - -

Sample description : Honeywell Model Kombi - 2 plus (V5032) Double Regulating Balancing Valve. PN16 Rating, Screwed End

Nominal pressure (PN) : 16

Manufacturer : Honeywell GmbH

Brand name : Honeywell

Model no. : Kombi - 2 plus (V5032)

Origin : European Union

Laboratory test results

Date of sample received : 30 July 2016

Date of test : 30 July 2016

A. Shell Tightness (BS EN 12266-1 : 2012 Annex A.3)

Specimen no.	DN (mm)	Apply pressure (bar)	Test duration (s)	Visually detectable leakage	Requirement	Test results
DP0160730-342	15	24	60	No	Visually detectable leakage is not permitted	Passed
DP0160730-343	20	24	60	No		Passed
DP0160730-344	25	24	60	No		Passed
DP0160730-345	32	24	60	No		Passed
DP0160730-346	40	24	60	No		Passed
DP0160730-347	50	24	60	No		Passed
DP0160730-348	65	24	60	No		Passed
DP0160730-349	80	24	60	No		Passed

B. Seat Tightness (BS EN 12266-1 : 2012 Annex A.4)

Specimen no.	DN (mm)	Side	Apply pressure (bar)	Test duration (s)	Visually detectable leakage	Leakage rates (m ³ /s)	Requirement	Test results
DP0160730-342	15	A	17.6	60	No	0	The leakage rate shall not exceed specified in BS EN 12266-1 : 2012 Annex A.4.3 Table A.5	Passed
DP0160730-343	20	A	17.6	60	No	0		Passed
DP0160730-344	25	A	17.6	60	No	0		Passed
DP0160730-345	32	A	17.6	60	No	0		Passed
DP0160730-346	40	A	17.6	60	No	0		Passed
DP0160730-347	50	A	17.6	60	No	0		Passed
DP0160730-348	65	A	17.6	60	No	0		Passed
DP0160730-349	80	A	17.6	60	No	0		Passed

Remark(s) :


- Test results relate only to the specimen tested.
- Test results of sample comply with the requirement of BS EN 12266-1 : 2012 Clause 4 Annex A.

Checked by : _____



FU HO MAN
Assistant Technical Officer

Certified by : _____



WONG KA MAN
Laboratory Manager

CERTIFIED COPY

End of Report

Form no. : DP_CHECK VALVE_HYD(BSEN12266-1-2012)_T_dd 01/08/2016



Castco Testing Centre Ltd.

香港粉嶺安居街33號
香港粉嶺安全街29A號

33, On Kui Street, Fanling, Hong Kong.
29A, On Chuen Street, Fanling, Hong Kong.

Tel : 2677 2138
Fax : 2677 0351

E-mail: castco@netvigator.com Website: www.castco.com.hk

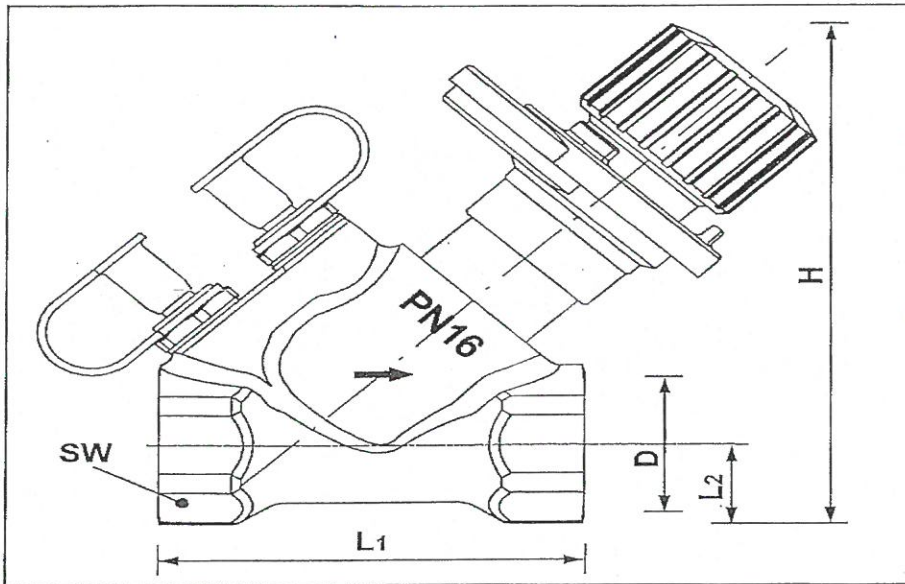
Test Report
Dimensions Check of Balancing Valve
(In-house method)

Date of issue : 22 August 2016
Page 3 of 3 page(s)

Castco LRN : DP0160730-341 DIM

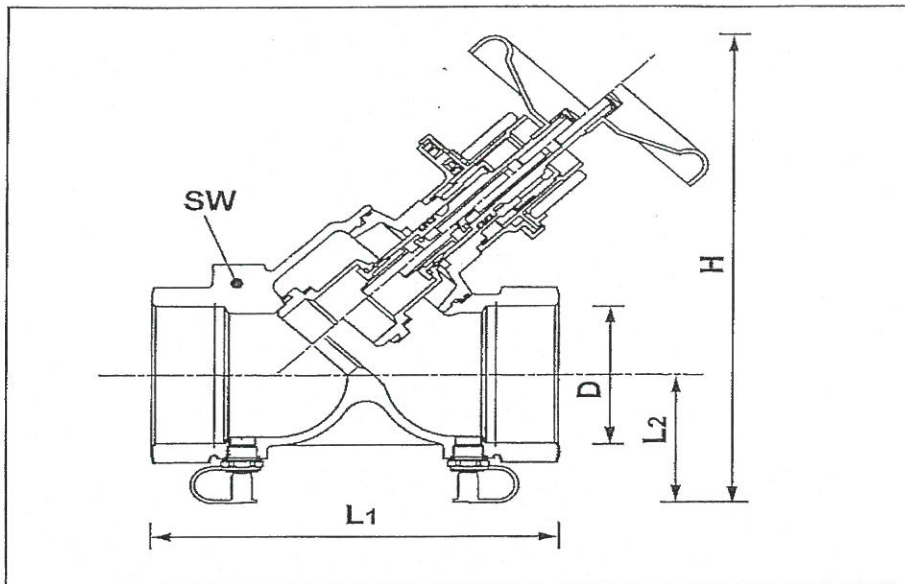
Appendix A

V5032...B Kombi-2-plus (DN15 - DN50)



Dimensions Figure-1

V5032...B Kombi-2-plus (DN65 - DN80)



Dimensions Figure-2

CERTIFIED COPY

Castco Testing Centre Ltd.